

FireLite®

FIRE-RATED GLASS CERAMIC

FireLite® is a 3/16" (5 mm) thick fire-rated glazing material. It is listed for use in **non-impact safety-rated locations** such as transoms and borrowed lites with fire rating requirements ranging from 20 to 90 minutes.

FEATURES

- Fire-rated for up to 90 minutes **with hose stream test**
- Glass ceramic
- Clear and wireless
- Fits in Designer Series Fireframes® from TGP, or standard fire-rated frames
- Large sizes available
- Withstands thermal shock
- May be lightly sandblasted or etched on one side without affecting fire rating
- Passes positive pressure test standards UL 10C, UBC 7-2 and UBC 7-4

Note: This product is not a barrier to radiant heat. This product does not meet test standards ASTM E-119 or UL 263. If your jurisdiction requires a "barrier to heat" product, please contact Technical Glass Products regarding Pilkington Pyrostop™

LISTINGS

Listed and labeled by Underwriters Laboratories, Inc.® and Underwriters' Laboratories of Canada. Test report numbers for labeled fire-rated assemblies include: UL File No. R13377, WHI-495-0896 and WHI-495-PSV-0631. All above tests performed in accordance with UL 9, UL 10C, ASTM E2010, CSFM 43.7, NFPA 257, UBC 43.4, UBC 7-2, UBC 7-4 and CAN4 S-104.

Rating	Assembly	Max. Exposed Area (Sq. In./Sq. Ft.)	Max. Width Of Exposed Glazing (In.)	or Max. Height Of Exposed Glazing (In.)	Stop Height
20 to 60 min.	Other than doors				
	HMS or wood*	3,325/23.09	95	95	5/8"
	Fireframes D.S.	3,325/23.09	95	95	3/4"
90 min.	Other than doors				
	HMS*	2,627/18.24	56-1/2	56-1/2	5/8"
	Fireframes D.S.	2,627/18.24	56-1/2	56-1/2	3/4"

* HMS indicates hollow metal steel framing. Fireframes D.S. indicates **Designer Series** narrow profile framing available from TGP. For wood frames, check with manufacturer for maximum tested glass sizes.

Note: Individual lite sizes cannot exceed "Max. Exposed Area" shown above.

Surface Finish	Premium	Standard	Obscure
Max. Sheet Size	48" x 96"	48" x 96"	36" x 96"

Please note: FireLite is not an impact safety-rated product and should not be specified as such. However, TGP does offer FireLite Plus® and FireLite® NT which carry both fire and impact safety ratings. Please ask for more details.



1-800-426-0279
Fax: 1-800-451-9857
Email: sales@fireglass.com
www.fireglass.com

This information is intended for general reference only. For current listing details, please call Technical Glass Products.

Fire-Rated



Hose Stream Tested

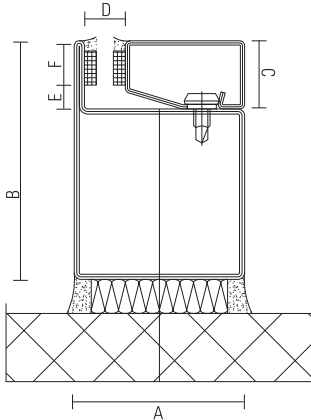




SPECIFICATIONS

All glass designated on the drawings as fire-rated shall be 3/16" (5 mm) thick FireLite® supplied by Technical Glass Products. The surface condition shall be either: Premium (polished surfaces); Standard (unpolished surfaces); or Obscure (patterned surface).

Complete 3-part CSI format specifications are available online at www.fireglass.com, or by calling 1-800-426-0279. Please contact Technical Glass Products for more information.



Detail based on use of Fireframes Designer Series narrow profile framing

Glazing Thickness: 3/16" ~ 1"

- a. Frame width: 2"
- b. Frame height: 2-3/4"
- c. Stop height: 3/4"
- d. Pocket width: 1/2" ~ 1-1/4"
- e. Edge clearance: 1/4"
- f. Bite: 1/2"

GENERAL CHARACTERISTICS

<i>Thickness:</i>	3/16" (5 mm) overall
<i>Weight:</i>	2.4 lbs./sq. ft.
<i>Approx. Visible Transmission:</i>	88%
<i>Approx. Visible Reflection:</i>	9%
<i>Hardness (Vicker's Scale):</i>	700
<i>Fire Rating:</i>	20 minutes to 90 minutes
<i>Impact Safety Rating:</i>	None

Figures are for Premium (polished) FireLite. Figures will differ slightly for Standard (unpolished) and Obscure (patterned) surface finishes.

LABELING

Each piece of FireLite shall be permanently labeled with the FireLite logo, UL logo and fire rating.

INSTALLATION

FireLite shall be glazed into the appropriate fire-rated framing with an approved glazing compound (pure silicone, closed cell PVC tape or DAP 33 putty) as supplied by the installer. For 90 min. ratings that exceed 1,393 sq. in., FireLite shall be glazed with fire-rated glazing tape as supplied by TGP.

Inspect each piece of FireLite immediately before installation and eliminate any with observable edge damage or face imperfections. As with any glass produced by the "roll out" method, individual pieces of FireLite may contain minimal variations in thickness. Occasionally, process marks and small occlusions or seeds (bubbles, knots or crystals) may be apparent. However, since they do not generally impair the transparency or affect the technical performance of the glass, they do not represent cause for rejection.

STORAGE & HANDLING

FireLite must be handled with care during transportation, storage, inspection and installation. Store in a dry place.

TGP offers a complete family of products for all your fire-rated glazing needs, ranging from 20 minute to 3 hour applications.

Fireglass®20	Fire-rated, impact safety-rated toughened glass
FireLite®	Fire-rated glass ceramic
FireLite® NT	Fire-rated, impact safety-rated glass ceramic with surface-applied film
FireLite Plus®	Fire-rated, impact safety-rated glass ceramic
FireLite® IGU	Fire-rated or fire/impact safety-rated insulated glass units
Pilkington Pyrodur™	Fire-rated, impact safety-rated glass
Pilkington Pyrostop™	Fire-rated, impact safety-rated transparent wall panels
Pilkington Pyroshield™ Plus	Fire-rated, impact safety-rated wired glass
Fireframes®	Fire-rated framing & doors for use with all TGP glass products



1-800-426-0279
Fax: 1-800-451-9857
Email: sales@fireglass.com
www.fireglass.com

FireLite and FireLite Plus are registered trademarks of Nippon Electric Glass Co., Ltd. Pyrodur, Pyroshield and Pyrostop are registered trademarks of Pilkington. Technical Glass Products, Fireglass and Fireframes are registered trademarks of Technical Glass Products. Scotchshield and 3M are registered trademarks of 3M. © 2005 Technical Glass Products. Printed in USA 8/05.