

FireLite Plus®

FIRE-RATED, SAFETY-RATED GLASS CERAMIC

FireLite Plus® is a 5/16" (8 mm) thick laminated fire-rated and impact safety-rated glazing material. It is listed for use in doors, sidelites, transoms and borrowed lites with fire rating requirements ranging from 20 minutes to 3 hours.

FEATURES

- Fire-rated for up to 3 hours **with hose stream test**
- Impact safety-rated — meets ANSI Z97.1 and CPSC 16CFR1201 (Cat. I and II)
- Glass ceramic
- Clear and wireless
- Fits in Designer Series Fireframes® from TGP, or standard fire-rated frames
- Withstands thermal shock
- Premium grade (polished) FireLite surfaces only
- Large sizes available
- May be lightly sandblasted/etched or beveled on one side without affecting fire rating
- Passes positive pressure test standards UL 10C, UBC 7-2 and UBC 7-4
- 5-year limited warranty

Note: This product is not a barrier to radiant heat. This product does not meet test standards ASTM E-119 or UL 263. If your jurisdiction requires a "barrier to heat" product, please contact Technical Glass Products regarding Pilkington Pyrostop™.

LISTINGS

Listed and labeled by Underwriters Laboratories, Inc.® and Underwriters' Laboratories of Canada. Test report numbers for labeled fire-rated assemblies include: UL File No. R13377 and WHI-495-0896. All above tests performed in accordance with UL 9, UL 10B, UL 10C, ASTM E2074, ASTM E2010, CSFM 43.7, NFPA 252, NFPA 257, UBC 43.2, UBC 43.4, UBC 7-2, UBC 7-4, CAN4 S-104 and CAN4 S-106.

Fire-Rated



Hose Stream Tested



Impact-Rated



1-800-426-0279
Fax: 1-800-451-9857
Email: sales@fireglass.com
www.fireglass.com

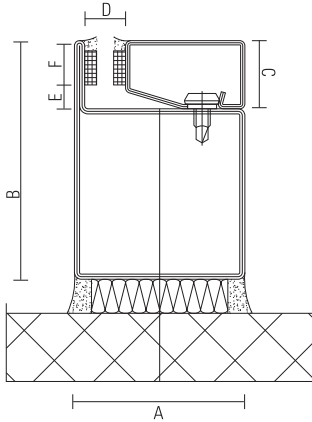
Rating	Assembly	Max. Exposed Area (Sq. In./Sq. Ft.)	Max. Width Of Exposed Glazing (In.)	or Max. Height Of Exposed Glazing (In.)	Stop Height
20 to 60 min.	Doors (non-temp rise)				
	HMS or wood*	3,204/22.25	36	89	5/8"
	Fireframes D.S.	3,204/22.25	36	89	3/4"
	Doors (temp rise)	100/0.69	12	33	5/8"
	Other than doors				
	HMS or wood	3,325/23.09	95	95	5/8"
90 min.	Doors (non-temp rise)				
	HMS or wood	2,034/14.13	36	56-1/2	5/8"
	Fireframes D.S.	2,034/14.13	36	56-1/2	3/4"
	Doors (temp rise)	100/0.69	12	33	1/2"
	Other than doors				
	HMS	2,627/18.24	56-1/2	56-1/2	5/8"
3 hour	Doors	100/0.69	12	33	1/2"
	Fireframes D.S.	2,627/18.24	56-1/2	56-1/2	3/4"

* HMS indicates hollow metal steel framing. Fireframes D.S. indicates **Designer Series** narrow profile framing available from TGP. For wood frames, check with manufacturer for maximum tested glass sizes.

Note: Individual lite sizes cannot exceed "Max. Exposed Area" shown above.

Surface Finish Premium **Max. Sheet Size** 48" X 96"

This information is intended for general reference only. For current listing details, please call Technical Glass Products.



Detail based on use of Fireframes Designer Series narrow profile framing

Glazing Thickness: 5/16" ~ 1"

- a. Frame width: 2"
b. Frame height: 2-3/4"
c. Stop height: 3/4"
d. Pocket width: 1/2" ~ 1-1/4"
e. Edge clearance: 1/4"
f. Bite: 1/2"

SPECIFICATIONS

All glass designated on the drawings as fire-rated and impact safety-rated shall be 5/16" (8 mm) thick Premium Grade FireLite Plus supplied by Technical Glass Products. Complete 3-part CSI format specifications are available online at www.fireglass.com, or by calling 1-800-426-0279. Please contact Technical Glass Products for more information.

GENERAL CHARACTERISTICS

Table with 2 columns: Characteristic and Value. Includes Thickness, Weight, Approx. Visible Transmission, Approx. Visible Reflection, Fire Rating, Impact Safety Rating, and STC Rating.

LABELING

Each piece of FireLite Plus shall be permanently labeled with the FireLite Plus logo, UL logo and fire rating.

INSTALLATION

FireLite Plus shall be glazed into the appropriate fire-rated framing with an approved glazing compound (pure silicone, closed cell PVC tape or DAP 33 putty) as supplied by the installer. For 90 min. ratings that exceed 1,393 sq. in., FireLite Plus shall be glazed with fire-rated glazing tape as supplied by TGP.

Inspect each piece of FireLite Plus immediately before installation and eliminate any with observable edge damage or face imperfections. As with any glass produced by the "roll out" method, individual pieces of FireLite Plus may contain minimal variations in thickness. Occasionally, process marks and small occlusions or seeds (bubbles, knots or crystals) may be apparent. However, since they do not generally impair the transparency or affect the technical performance of the glass, they do not represent cause for rejection.

STORAGE & HANDLING

FireLite Plus must be handled with care during transportation, storage, inspection and installation. Store in a dry place.

TGP offers a complete family of products for all your fire-rated glazing needs, ranging from 20 minute to 3 hour applications.

Table listing product types and their descriptions: Fireglass, FireLite, FireLite NT, FireLite Plus, FireLite IGU, Pilkington Pyrodur, Pilkington Pyrostop, Pilkington Pyroshield Plus, and Fireframes.



1-800-426-0279
Fax: 1-800-451-9857
Email: sales@fireglass.com
www.fireglass.com

FireLite and FireLite Plus are registered trademarks of Nippon Electric Glass Co., Ltd. Pyrodur, Pyroshield and Pyrostop are registered trademarks of Pilkington. Technical Glass Products, Fireglass and Fireframes are registered trademarks of Technical Glass Products. Scotchshield and 3M are registered trademarks of 3M. © 2005 Technical Glass Products. Printed in USA 8/05.